

GE
Lighting

Albeo™ LED Luminaire

High Bay Lighting
(ABV-Series)



imagination at work

Product Features

Albeo continues to build on the groundbreaking ABH-Series high bay LED luminaire with its latest high bay, the ABV-Series. Utilizing a new form factor, the ABV-Series offers customers the best mixture of value and performance.

Applications

- Designed to meet recommended luminance and illuminance requirements for High bay and Low bay applications.



Housing

- Combination of steel and aluminum housing.
- ABV-Series' design accommodates 1 or 2 modules with 2 LED strips per module.

LED & Optical Assembly

- ABV-Series lens system enable LEDs to provide optimized illumination for open floor and racked aisles with photometric distributions of 55, 90 and 120 degrees.
- Utilizes high brightness LEDs, 70 CRI at 4000K & 5000K typical.
- LM-79, LM 80 tests and reports are performed in accordance to IESNA standards.

Ratings

- DLC Listed
- RoHs
-   UL 1598 Suitable for Damp Locations
- UL 8750 LED equipment in Lighting Products
- Temperature Rated at (-30°C to +55°C) (-22°F to 131° F)
- Projected L70(8k) ≥ 100,000 Life Hours per IES TM-21

Mounting

- Chain or Cable mounting ready, threaded rod kit, and ¾" pendant mount kit optional
- Cord and plug options offered.

Finish

- Painted white finish

Controls

- Motion and Daylight sensor can be combined with the ABV-Series for additional energy savings.
- For wireless controls please consult factory.

Electrical

- 120-277 volt, 347 and 480 volt available.
- System power factor is >90%* and THD <20%.*
- EMI: FCC CFR Title 47 Part 15, Class A.

** System power factor and THD is tested and specified at 120V input and maximum load conditions.*

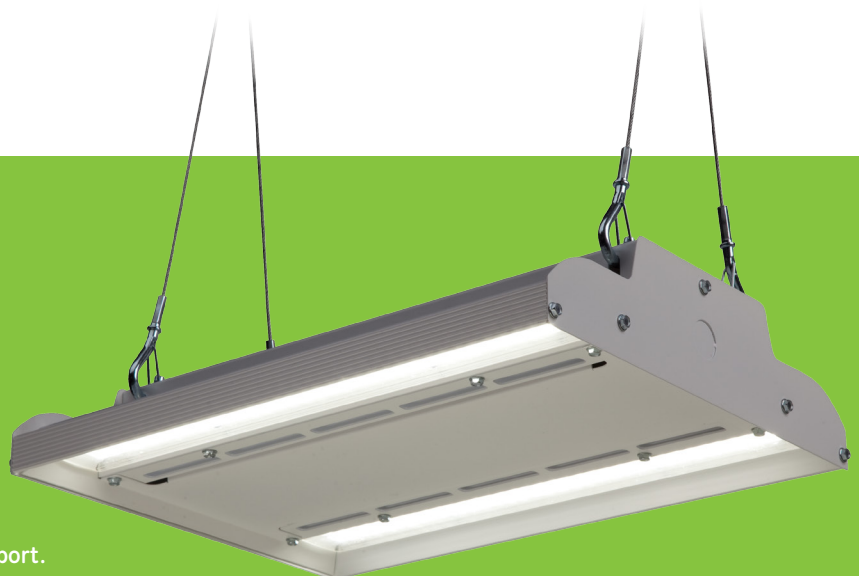
Warranty

- 5-year limited system warranty standard.

Industry Awards



Accepted for inclusion in the 2014 IES Progress Report.
Sponsored by the Illuminating Engineering Society.



Ordering Number Logic

High Bay (ABV1)



ABV1

V

W

PRODUCT ID	VOLTAGE (UL)	MODULE	LUMEN OUTPUT	LED COLOR TEMP	OPTICS BEAM	MOTION/DAYLIGHT SENSOR	CONTROL WIRING	MOUNTING	CORD	PLUG	FINISH	OPTIONS
A = Albeo B = Bay V = V-Series 1 = LED Generation	0 = 120/277 1 = 120* 2 = 208* 4 = 277* 5 = 480* D = 347*	1 = 1 module 2 = 2 modules	T = Standard Output V = Very High Output	70 Plus CRI 47 = 4000K 57 = 5000K	1 = 120° 5 = 55° 9 = 90° D = 120° Diffused lens	N = None A = On/off aisle motion B = On/off 360 motion C = On/off cold temp aisle D = On/off cold temp 360 E = Daylight sensor F = Aisle motion/daylight G = 360 motion/daylight H = Pre-wired (no sensor) J = 0-10V Motion 360 K = 0-10V Motion aisle L = 0-10V Motion 360 cold M = 0-10V Motion aisle cold	V = 0-10V	ST = Standard 22 = 3/8" Threaded rod mount kit 23 = 3/4" Pendant Mount Kit 3/4" conduit not included 41 = Y-Cable/ Hook 5 ft. 42 = Y-Cable/ Hook 10 ft. 43 = Y-Cable/ Hook 15 ft. 44 = Y-Cable/ Hook 20 ft. See Mounting & Accessories	K = Knock out access A = 6 ft. 18-3 cord B = 12 ft. 18-3 cord Consult factory for custom cord lengths.	N = None A = 15A straight plug B = 20A straight plug C = 15A twist lock plug D = 20A twist lock plug Consult factory for custom plugs.	W = White Powder Coat	W = Wireless * Consult factory for wireless configuration * Wireless not available with 347V-480V

MODULE #	OUTPUT LEVEL	TYPICAL INITIAL LUMENS 70 CRI		TYPICAL SYSTEM WATTS		LPW (5000K)	
		4000K	5000K	120V-277V	347V-480V	120V-277V	347V-480V
1	T	9000	9170	67	72	137	127
1	V	12080	12310	95	102	130	121
2	T	18000	18340	134	144	137	127
2	V	24160	24620	190	204	130	121

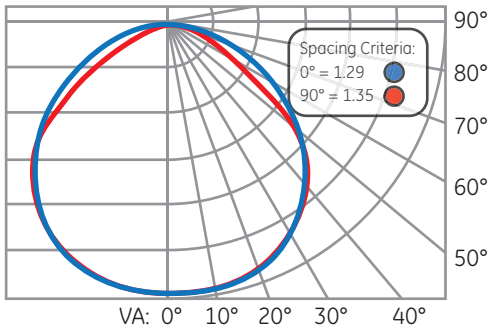
OPTICS BEAM	% OUTPUT
120° (1)	100%
55° (5)	93%
90° (9)	99%
120° Diffused (D)	99%

Note: Lumen data shown is for 120°(1) optic see table to the right for other light optic factors.

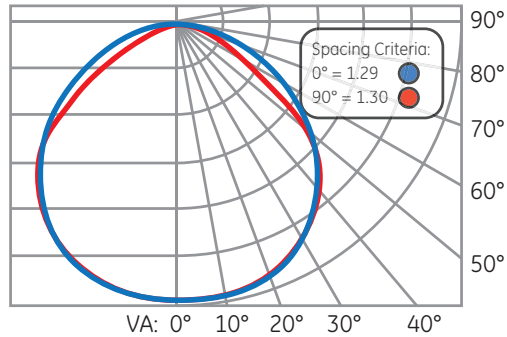
Photometrics

Optics for Common Applications

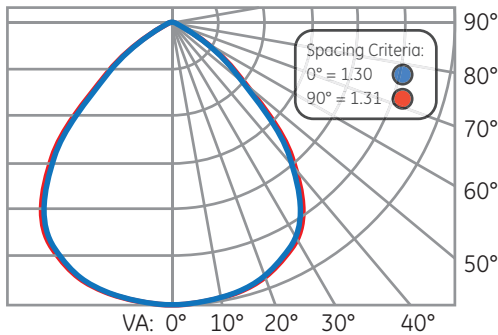
Polar Candela Distribution
120° Full Beam Angle



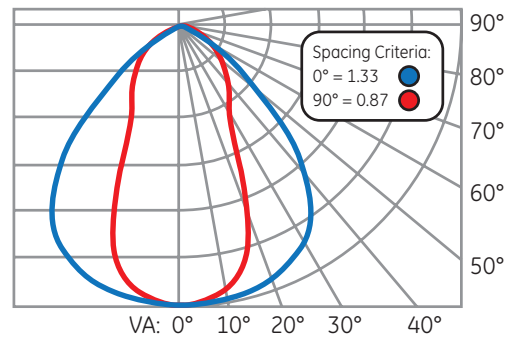
Polar Candela Distribution
120° Diffused Full Beam Angle



Polar Candela Distribution
90° Full Beam Angle



Polar Candela Distribution
55° Full Beam Angle

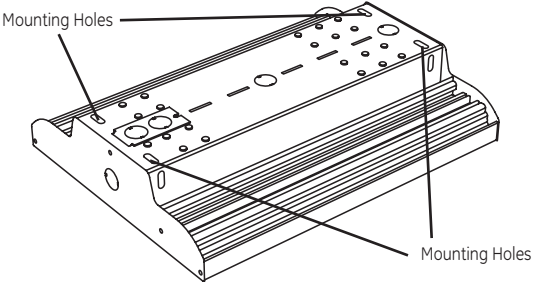
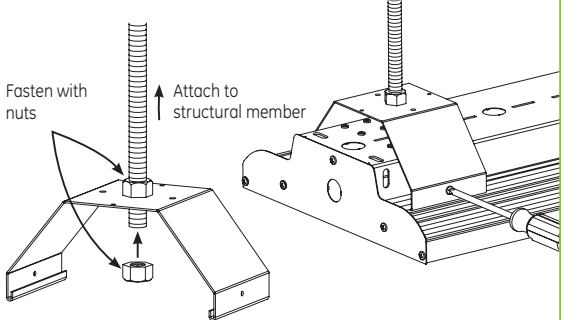
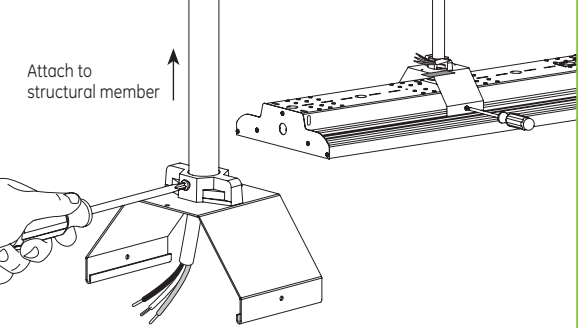
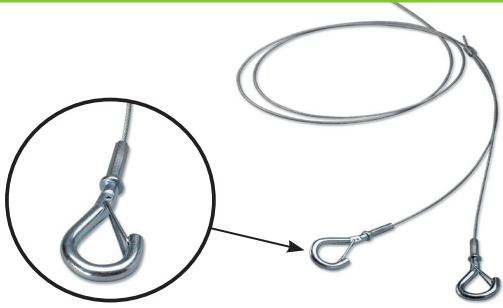


Lens selection by application

The Albeo™ ABV-Series optical lens system enables LEDs to provide precise illumination where needed. Lenses are designed for commercial & industrial applications where mounting height, fixture spacing & light levels help determine lens selection. The following table outlines lens options and suggested application. Consult factory for specific project layouts.

LENS TYPE	MOUNTING HEIGHT	SPACE TYPE
120° Diffused	Below 20 Feet	Open Floor Plan
120° Standard	Any	Open Floor Plan
90°	Any	Open Floor Plan
55°	Any	Low or High Bay Racked Aisles

Mounting & Accessories

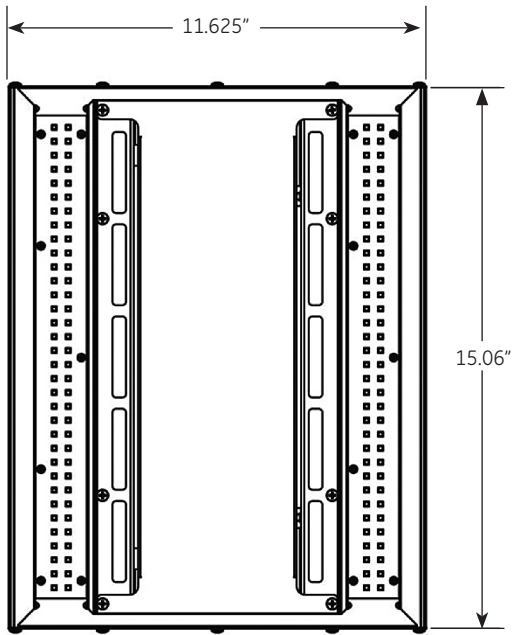
MOUNTING OPTIONS	IMAGE	ORDER LOGIC CODE
<p>Standard Chain/Cable Mount Available on all fixture configurations (chain not included). Y-Cable w/hook can be ordered as an accessory.</p>		<p>ST = Standard</p>
<p>Rod Mount (optional) Available on all fixture configurations. Attaches to 1/2" threaded rod (rod and nuts not included).</p>		<p>22 = 1/2" Threaded Rod Kit</p>
<p>Pendant Mount (optional) Available on all fixture configurations. Attaches to 3/4" threaded conduit (conduit not included).</p>		<p>23 = 3/4" Pendant Mount Kit</p>
<p>Y-Cable w/hook (optional) Use with Standard Mounting Option only. Order separately. Price adder per pair. 5 ft., 10 ft., 15 ft., 20 ft. lengths available.</p>		<p>41=Y-Cable-Hook-05ft-Pair 42=Y-Cable-Hook-10ft-Pair 43=Y-Cable-Hook-15ft-Pair 44=Y-Cable-Hook-20ft-Pair Max Load: 200 lbs. per pair</p>

Chain/cable mount is standard and included in price. Price adder for Y-Cable, Rod Mount, and Pendant Mount. Consult Sales for latest information. See "Installation Instructions" for mounting details.

Product Dimensions

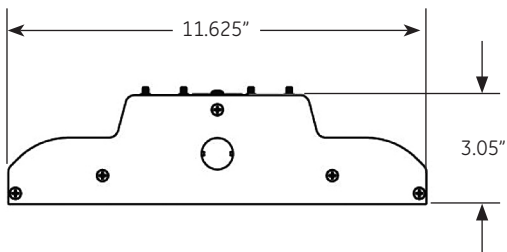
High Bay (ABV1)

1-Module

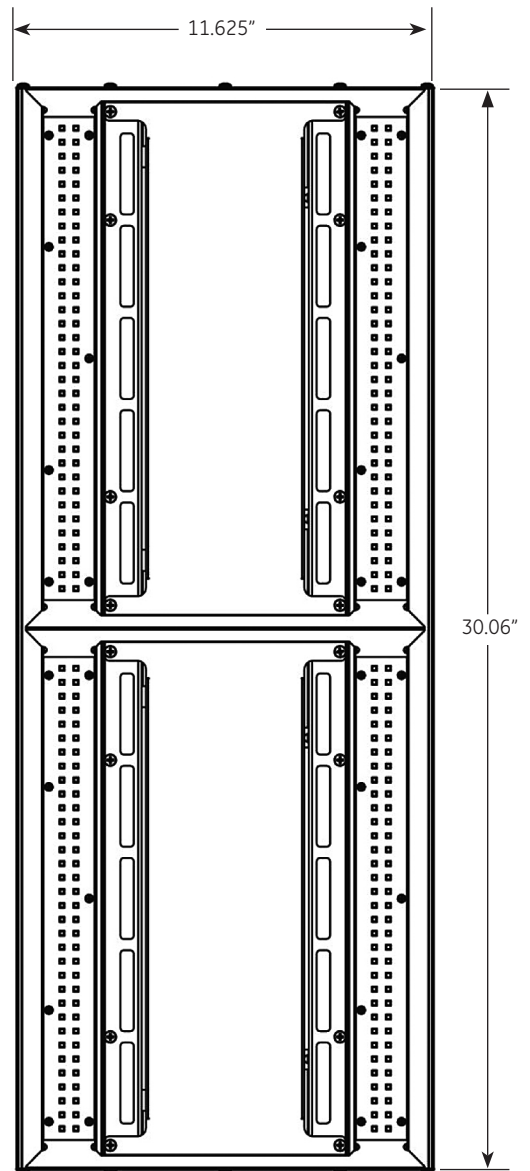


Max. Weight: 11 lbs.

Side View



2-Module



Max. Weight: 18 lbs.



www.gelighting.com

GE and the GE Monogram are trademarks of the General Electric Company. All other trademarks are the property of their respective owners. Information provided is subject to change without notice. All values are design or typical values when measured under laboratory conditions. GE Lighting and GE Lighting Solutions, LLC are businesses of the General Electric Company. © 2015 GE.

ALB016 (Rev 01/13/15)